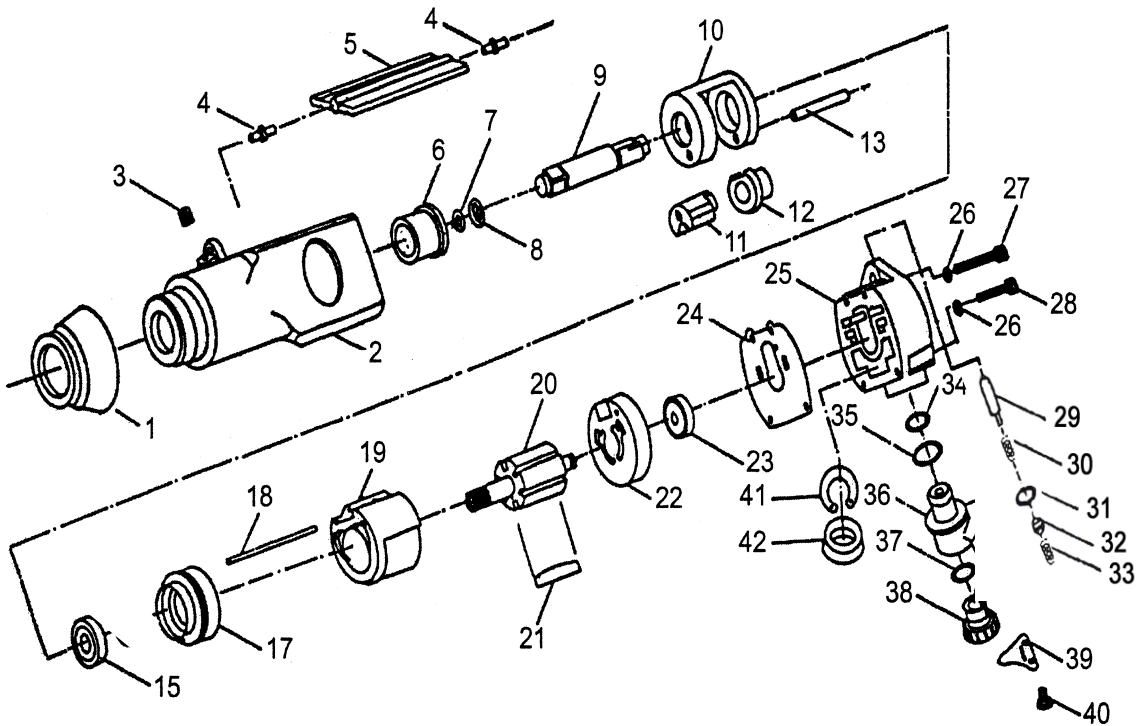


3/8" Slagmoersleutel - Schlagschrauber - Impact wrench - Boulonneuse - Slagmoersleutel



ITEM NO.	DESCRIPTION
1	RUBBER NOSE GUARD
2	MOTOR HOUSING
3	OILER SCREW
4	THROTTLE PIN (2)
5	THROTTLE LEVER
6	ANVIL BUSHING
7	O-RING
8	SOCKET RET RING
9	ANVIL
10	HAMMER CAGE
11	HAMMER
12	CAM
13	HAMMER PIN
15	BALL BEARING
17	FRONT END PLATE
18	MOTOR PIN
19	CYLINDER
20	ROTOR
21	ROTOR BLADE (6)
22	REAR END PLATE
23	BALL BEARING

ITEM NO.	DESCRIPTION
24	BACK CAP GASKET
25	BACK CAP
26	LOCK WASHER (4)
27	CAP SCREW - LONG (2)
28	CAP SCREW - SHORT (2)
29	PLUNGER (2)
30	SPRING (2)
31	O-RING (2)
31	VALVE (2) (OLD)
32	VALVE SEAT (2)
33	VALVE SPRING (2)
34	O-RING
35	O-RING
36	AIR INLET BLOCK
37	O-RING
38	REGULATOR
39	RETAINER PLATE
40	SCREW (2)
41	RETAINING RING
42	FIXING RING